



UPS 4250

High Rate Battery



Electrical specifications

Nominal Voltage		12 V
Capacity @ 25°C to 1,8V/c	20 hour rate	148,0 Ah
Capacity @ 25°C to 1,8V/c	10 hour rate	135,0 Ah
Power @ 25°C to 9,6V	10 min rate	3720 W
Power @ 25°C to 1,6V/c	10 min rate	620 W/c
Self discharge @ 25°C	per month	< 2 %
Internal Resistance	fully charged	approx 3,3 mΩ
Maximum current @ 25°C	Discharge < 5sec	1350 A
Maximum current @ 25°C	Cyclic charge	40,5 A
Charge Voltage @ 25°C	Float (-3mV/°C)	2,27 V/c
Charge Voltage @ 25°C	Cyclic (-4mV/°C)	2,45 V/c

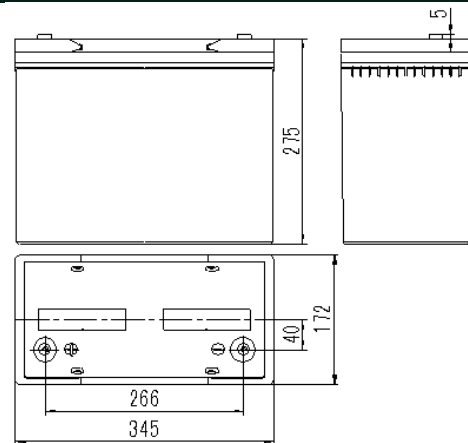
Other specifications

Design Floating Life @ 20°C		10-12 Years
Dimensions LxWxH (± 1mm)		345x172x275 mm
	Total height	280 mm
Operating Temperature (storage)		-20 to +50 °C
Separator		Absorbent Glass Mat
Grid alloy		Calcium / Tin lead alloy
Case and cover		ABS
Electrolyte		Sulphuric Acid
Terminal / Length		M8 insert
Connector	Interlink Connectors	Optional
Torque setting		12 - 16 Nm
Weight		41,7 (±2%) kg

Innovative Features

- 10-12 Year Long Life Design, Valve regulated Battery
- High performance according to Eurobat Classification
- Maximum charge efficiency
- 100% Recyclable
- High gas recombination efficiency
- Low self-discharge rate
- Easy handling
- Easy installation in vertical or horizontal orientation
- Applications: UPS, Data centre , Generator starting, EPS units
- Standards: IEC 60896-21 = VRLA methods of standards , IEC 60896-22 = VRLA requirements , JIS C8702-1/2:2009 , installation compliant with EN50272-2 , ISO 9001/2008

Dimensions



Constant Amps Discharge - Amps at 25°C

V/Cell	5m	10m	15m	20m	25m	30m	35m	40m	45m	50m	55m	60m	90m
1,80	333	259	231	199	167	152	130	115	103	94	85,5	79,3	57,7
1,75	359	277	243	209	176	160	137	121	108	98	89,3	83,0	61,7
1,70	384	297	254	217	182	169	145	128	116	105	95,5	87,7	64,7
1,67	398	308	262	221	186	173	149	131	118	107	97,7	90,4	66,5
1,65	410	317	268	224	188	177	152	134	122	111	101,0	92,8	68,1
1,60	440	337	282	233	196	185	159	140	125	114	103,5	98,3	72,0

Constant Power Discharge - Watts per Cell at 25°C

V/Cell	5m	10m	15m	20m	25m	30m	35m	40m	45m	50m	55m	60m	90m
1,80	613	509	416	333	280	276	243	219	208	191	178	167	118
1,75	642	535	434	347	291	285	251	226	214	197	183	172	122
1,70	675	563	452	361	303	296	261	235	221	204	189	177	126
1,67	689	578	462	369	310	302	266	239	225	207	193	180	128
1,65	701	591	470	376	316	306	269	243	228	210	195	182	130
1,60	740	620	490	392	329	317	279	251	235	216	201	188	133

Revision: 201608-1

Your Wing Dealer :

