



UPS 3300

High Rate Battery



Electrical specifications

Nominal Voltage		12 V
Capacity @ 25°C to 1,8V/c	20 hour rate	110,0 Ah
Capacity @ 25°C to 1,8V/c	10 hour rate	100,0 Ah
Power @ 25°C to 9,6V	10 min rate	2820 W
Power @ 25°C to 1,6V/c	10 min rate	470 W/c
Self discharge @ 25°C	per month	< 2 %
Internal Resistance	fully charged	approx 4,2 mΩ
Maximum current @ 25°C	Discharge < 5sec	1200 A
Maximum current @ 25°C	Cyclic charge	30,0 A
Charge Voltage @ 25°C	Float (-3mV/°C)	2,27 V/c
Charge Voltage @ 25°C	Cyclic (-4mV/°C)	2,45 V/c

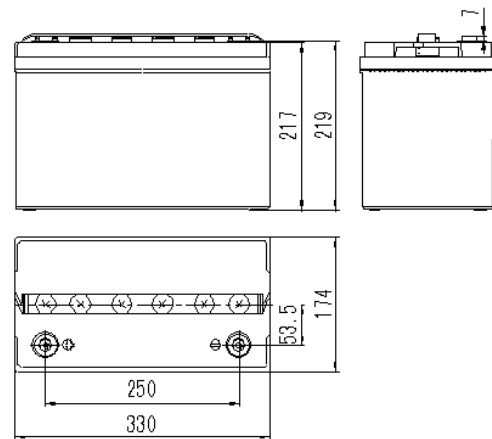
Other specifications

Design Floating Life @ 20°C		10-12 Years
Dimensions LxWxH (± 1mm)		330x174x217 mm
	Total height	225 mm
Operating Temperature (storage)		-20 to +50 °C
Separator		Absorbent Glass Mat
Grid alloy		Calcium / Tin lead alloy
Case and cover		ABS
Electrolyte		Sulphuric Acid
Terminal / Length		M8 insert
Connector	Interlink Connectors	Optional
Torque setting		12 - 16 Nm
Weight		29,9 (±2%) kg

Innovative Features

- 10-12 Year Long Life Design, Valve regulated Battery
- High performance according to Eurobat Classification
- Maximum charge efficiency
- 100% Recyclable
- High gas recombination efficiency
- Low self-discharge rate
- Easy handling
- Easy installation in vertical or horizontal orientation
- Applications: UPS, Data centre , Generator starting, EPS units
- Standards: IEC 60896-21 = VRLA methods of standards , IEC 60896-22 = VRLA requirements , JIS C8702-1/2:2009 , installation compliant with EN50272-2 , ISO 9001/2008

Dimensions



Constant Amps Discharge - Amps at 25°C

V/Cell	5m	10m	15m	20m	25m	30m	35m	40m	45m	50m	55m	60m	90m
1,80	265	211	179	146	129	113	97	85,5	77,0	69,3	62,4	57,5	41,5
1,75	291	225	189	154	136	118	101	89,3	81,4	73,3	65,9	61,0	44,0
1,70	312	242	199	163	143	125	108	94,6	85,2	77,1	70,3	65,0	46,7
1,67	323	251	205	167	147	129	111	97,4	87,5	79,2	72,2	66,6	48,0
1,65	334	258	210	170	150	132	114	99,9	89,4	80,9	73,8	67,9	49,1
1,60	355	275	223	180	158	139	120	105,2	93,9	85,0	77,5	71,7	52,3

Constant Power Discharge - Watts per Cell at 25°C

V/Cell	5m	10m	15m	20m	25m	30m	35m	40m	45m	50m	55m	60m	90m
1,80	467	384	341	278	234	211	186	167	150	139	131	123	87,0
1,75	498	400	354	287	241	218	192	173	156	145	136	127	89,5
1,70	531	424	368	298	250	227	199	180	161	149	140	130	92,5
1,67	548	437	375	303	254	230	202	182	163	151	142	131	93,9
1,65	562	448	380	306	257	232	204	184	164	153	143	133	95,0
1,60	591	470	389	315	265	239	210	189	168	157	147	136	98,0

Revision: 201608-1

Your Wing Dealer :

