



ESL 150-12

12V - 150 Ah



Electrical specifications

Nominal Voltage	12 V	
Capacity @20-25°C to 1,8V/c	20 hour rate	150,4 Ah
	10 hour rate	142,0 Ah
	8 hour rate	140,0 Ah
	3 hour rate	125,4 Ah
	1 hour rate	101,0 Ah
Self discharge @ 20°C	per month	2,5 - 3 %
Resistance @ 20-25°C	fully charged	approx 2,8 mΩ
Impedance @ 20-25°C	fully charged	1300 S
Short Circuit @ 20°C	4200 A	
Charge Voltage @ 20-25°C	Float (-3mV/°C/c)	2,27 - 2,29 V/Cell
	Cyclic (-5mV/°C/c)	2,35 - 2,40 V/Cell

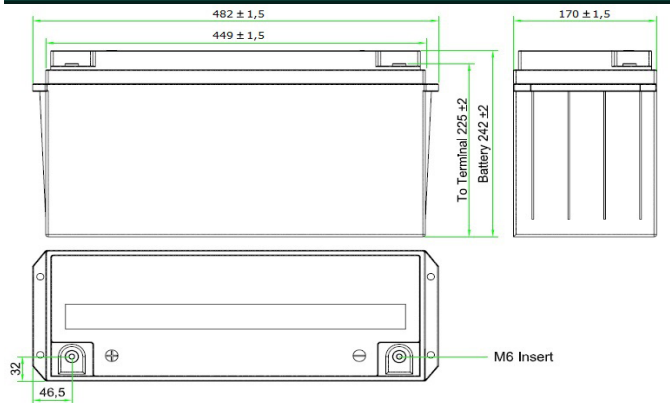
Other specifications

Design Floating Life @ 20°C	12 Years	
Dimensions LxWxH (± 1mm)	482x170x225 mm	
Total height	242 mm	
Operating Temperature (storage)	-20 to +50 °C	
Separator	Absorbent Glass Mat	
Grid alloy	Calcium / Tin lead alloy	
Case and cover	ABS	
Electrolyte	Sulphuric Acid	
Terminal / Length	bold M6 / 20mm	insert
Optional terminal types	none	
Torque setting	5-7 Nm	
Weight	45,3 (±5%) kg	

Innovative Features

- Completely maintenance free, sealed construction eliminates the need for adding water
- Fully tank formed plates
- Analytical grade electrolyte
- Spill proof / leak proof
- Valve regulated Max internal pressure 2,5 psi
- Multi-position usage
- ABS Case and cover - V0 option
- Low self discharge
- FAA and IATA approved as non-hazardous
- Built to comply with IEC 8962, DIN 43534, BS 6290 Pt4, Eurobat

Dimensions



Left - Positive , Right - Negative

Constant Amps Discharge - Amps at 25°C

V/Cell	5	10	15	20	25	30	35	40	45	50	55	60	90	2h	3h	4h	5h	6h	7h	8h	9h	10h	12h	20h
1,80	375	266	226	201	179	163	148	136	129	118	108	101	73,9	58,2	41,8	33,0	26,9	22,9	19,8	17,5	15,6	14,2	12,0	7,52
1,75	399	283	240	213	191	173	157	144	133	123	114	107	78,6	61,9	44,5	35,1	28,6	24,3	21,1	18,6	16,7	15,1	12,7	8,00
1,70	408	289	245	218	195	177	161	147	136	127	118	110	80,3	63,3	45,5	35,8	29,2	24,9	21,5	19,0	17,0	15,4	13,0	8,18
1,65	413	293	249	221	197	179	163	149	138	126	118	111	81,3	64,1	46,0	36,3	/	/	/	/	/	/	/	/
1,60	417	295	251	223	199	181	164	151	139	129	120	112	82,1	64,7	46,5	36,6	/	/	/	/	/	/	/	/

Constant Power Discharge - Watts per cell at 25°C

V/Cell	5	10	15	20	25	30	35	40	45	50	55	60	90	2h	3h	4h	5h	6h	7h	8h	9h	10h	12h	20h
1,80	923	586	464	395	350	320	292	269	249	235	218	203	151	120	85,1	65,1	53,6	45,4	39,5	34,9	31,4	28,4	23,9	14,9
1,75	982	623	493	420	372	340	310	286	265	247	232	216	161	128	90,6	69,3	57,0	48,3	42,0	37,1	33,4	30,2	25,4	15,8
1,70	1003	637	504	429	380	347	317	292	271	250	237	221	164	131	92,5	70,8	58,2	49,3	42,9	38,0	33,9	30,9	25,9	16,2
1,65	1016	645	511	435	385	352	321	296	274	254	240	224	166	133	93,7	71,7	/	/	/	/	/	/	/	/
1,60	1026	651	516	439	389	355	324	299	277	258	244	226	168	134	94,6	72,4	/	/	/	/	/	/	/	/

Revision: 201512-2

Your Wing Dealer :

