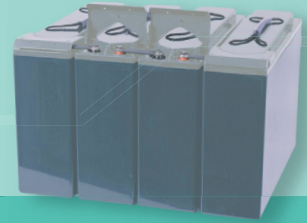




ESL 100-12FT



Features

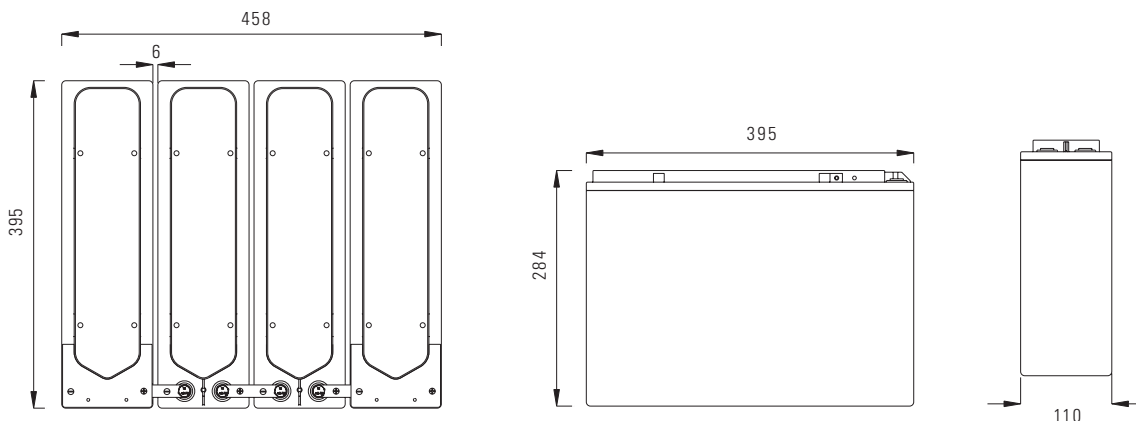
- Compactness
- ETSI / 19" / 23" Integration
- Modularity
- Rackable Standard component
- Long life
- Use under extreme conditions
- High power volume ratio
- Maintenance free utilising VRLA technology
- Low Installation costs
- Front Connections and terminal access
- Long Design Life - 12 years

- Rope handles on 100Ah upwards
- Central gassing system and hinged front covers on all models
- Integral flame arrestor
- Low Internal resistance
- Recyclable lead and plastics
- Designed to meet BELLCORE, BS6290 Pt4, IEC 896-2 recommendations
- Utilising Gel technology
- Excellent Cycling ability
- Low self discharge rates
- Compression plate absorbs grid expansion

Specifications

- Nominal Voltage.....12 Volts
- Design Life12 Years
- Operating Temperature...-20 °C to 50 °C
- Grid alloy.....Calcium /Tin lead alloy
- Plates.....Flat Pasted
- Separator.....AGM - Absorbant Glass Mat
- Active material.....Very high purity lead
- Case and cover.....ABS (VO on request)
- Charge VoltageFloat 2.27 - 2.30 VPC @25 °C
Cycling 2.35 @25 °C
Max. 2.4 VPC Max ripple 0.05C (A)
- ElectrolyteSulphuric acid Analytical grade purity
- Venting ValveEPDM Rubber 1.5 to 2 psi (10.5 - 14 KPa) release pressure. Resealing at 1 psi (7 KPa)
- Terminal.....Epoxy sealed by extended mechanical paths
- Torque setting.....The recommended torque value for all types is 5-7 Nm
- Connectors.....Supplied as standard

Terminal Dimensions



Specifications

Nominal Voltage	12V		
Nominal Capacity	100 Ah C10		
Dimensions	Total Height - (Inc. terminal s)	285 mm - n/a mm	11,22 inches - n/a inches
	Length - Width	395 mm - 110 mm	15,55 inches - 4,33 inches
Weight 34 Kg - 75,14 lbs			

Characteristics

Capacity 20 °C (68 °F) To 1.7 volts	20 hour rate 10 hour rate 5 hour rate 1 hour rate 15 min rate Internal Resistance Impedance	117,9 Ah 108,9 Ah 105,8 Ah 81,5 Ah 53,9 Ah 3,2 mOhms S
Capacity correction for Temperature Variations (C20)	40 °C (104 °F) 20 °C (68 °F) 0 °C (32 °F) -15 °C (5 °F)	102% 100% 85% 65%
Self-Discharge 20 °C (68 °F)	Capacity after 1 months storage Capacity after 3 months storage Capacity after 6 months storage	98% 94% 86%
Short Circuit Current 20 °C (68 °F)	1300	
Terminal	Standard Optional	16mm Insert M6 thread
Charging (Constant Voltage)	Cyclic Float	2.40 VPC (15-25 °C) 2.27 - 2.30 VPC (15-25 °C)

Constant Power Discharge - Watts per Cell at 20°C

End V per Cell	5M	10M	15M	20M	25M	30M	35M	40M	45M	60M	90M	2 hr	3 hr	4 hr
1.85	459	371	310	264	235	212	190	172	159	125	86.5	67.6	47.9	37.8
1.80	530	439	370	317	283	257	231	209	193	153	106	83.4	59.0	46.4
1.75	565	456	381	325	289	261	234	212	195	153	106	83.5	59.1	46.5
1.70	602	473	392	332	295	265	237	215	197	153	106	83.7	59.2	46.6
1.65	619	481	396	334	295	265	237	215	197	153	106	82.7	58.5	-
1.60	655	499	404	339	299	267	238	215	198	153	106	82.8	58.6	-

Constant Amps discharge - Amps at 20°C

End V per Cell	5 M	10 M	15 M	20 M	25 M	30 M	35 M	40 M	45 M	60 M	90 M	2 hr	3 hr	4 hr	5 hr	8 hr	10 hr	12 hr	20 hr
1.85	247	198	165	141	125	112	100	90.6	83.2	65.3	45.1	34.9	24.6	19.3	15.9	10.6	8.60	7.40	4.91
1.80	289	239	200	171	152	137	123	111	102	80.5	55.6	43.0	30.2	23.7	19.5	12.8	10.3	8.79	5.56
1.75	312	250	208	176	156	140	125	113	104	81.0	55.9	43.1	30.3	23.7	19.6	12.9	10.4	8.93	5.73
1.70	335	262	216	181	160	143	128	115	105	81.5	56.1	43.2	30.4	23.8	19.7	13.0	10.6	9.08	5.90
1.65	346	267	218	183	161	144	128	115	105	81.6	56.1	43.3	30.4	-	-	-	-	-	-
1.60	368	278	224	186	163	145	129	116	106	81.7	56.2	43.3	30.5	-	-	-	-	-	-

Ampere Hour at 20 °C

End V per Cell	2 hr	3 hr	4 hr	5 hr	8 hr	10 hr	12 hr	20 hr
1.85	69.7	73.7	77.0	79.7	84.5	86.0	88.8	98.2
1.80	86.1	90.7	94.7	97.6	102	103	105	111
1.75	86.2	90.9	94.9	98.0	103	104	107	115
1.70	86.4	91.1	95.1	98.4	104	106	109	118
1.65	86.5	91.2	-	-	-	-	-	-
1.60	86.6	91.4	-	-	-	-	-	-